

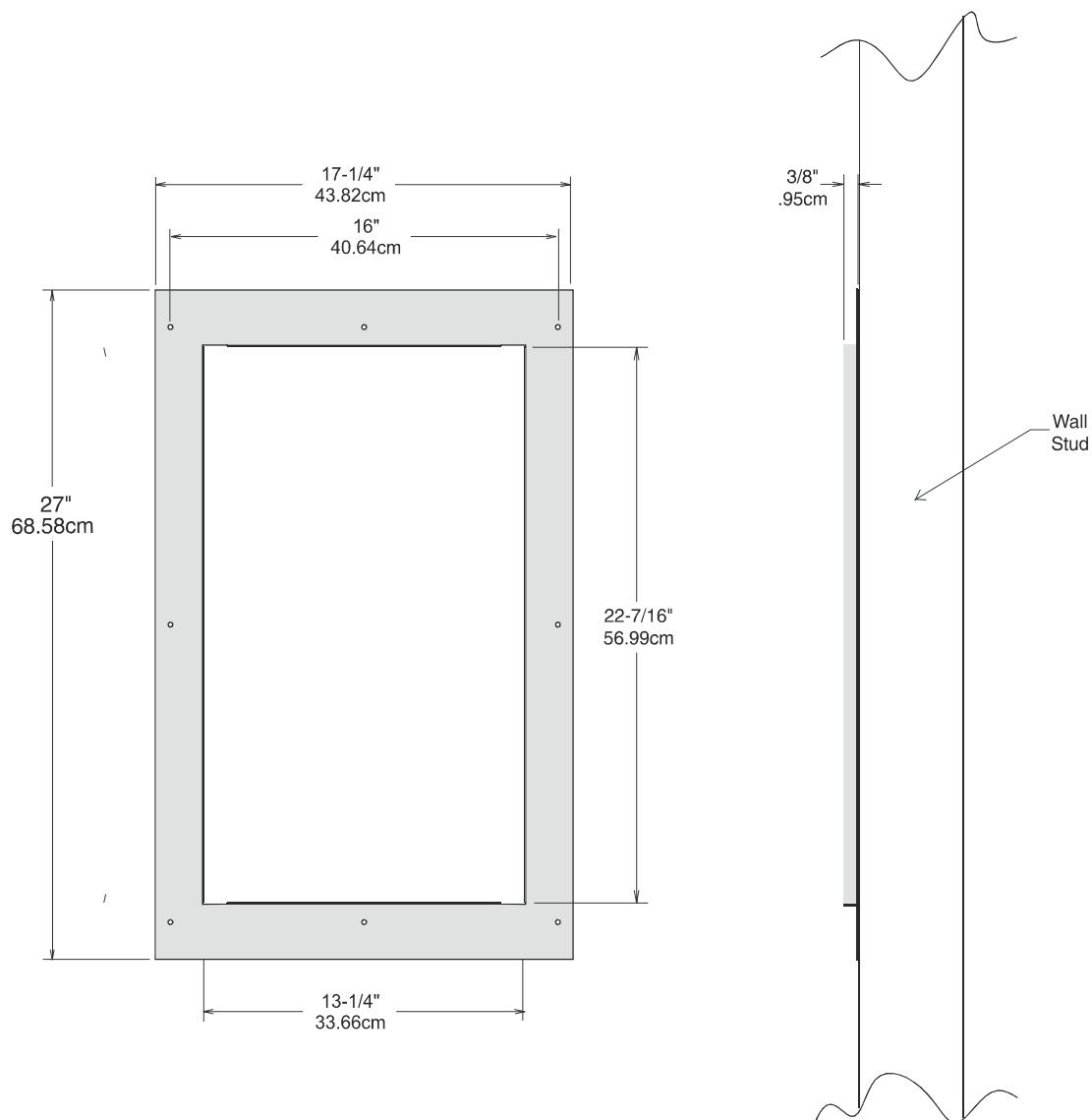
RK500 Rough-In Kit for the WS500

The RK500 Rough-In Bracket is designed to facilitate the installation of the McIntosh WS500 In-Wall Loudspeaker System in new construction projects. The bracket provides a solid metal mounting frame for extra support of the loudspeaker and assures the cut out is the proper size. When installed vertically, the bracket will span 16 inch on center wall studs. Refer to diagram below.

Note: Do not mount the flange opening closer than 1-1/4 inches from the stud to allow the clamping pieces to swing freely for clamping the In-Wall Speaker Assembly to the Rough-In Bracket and wallboard.

Installing the RK500 Rough-In Kit:

1. Use a level to assure correct placement of the bracket.
2. Place the bracket against the studs with the flange facing outward.
3. Secure the bracket to the studs with 1 inch drywall screws or 1 inch roofing nails (6 places).



McIntosh Part No. 04196700