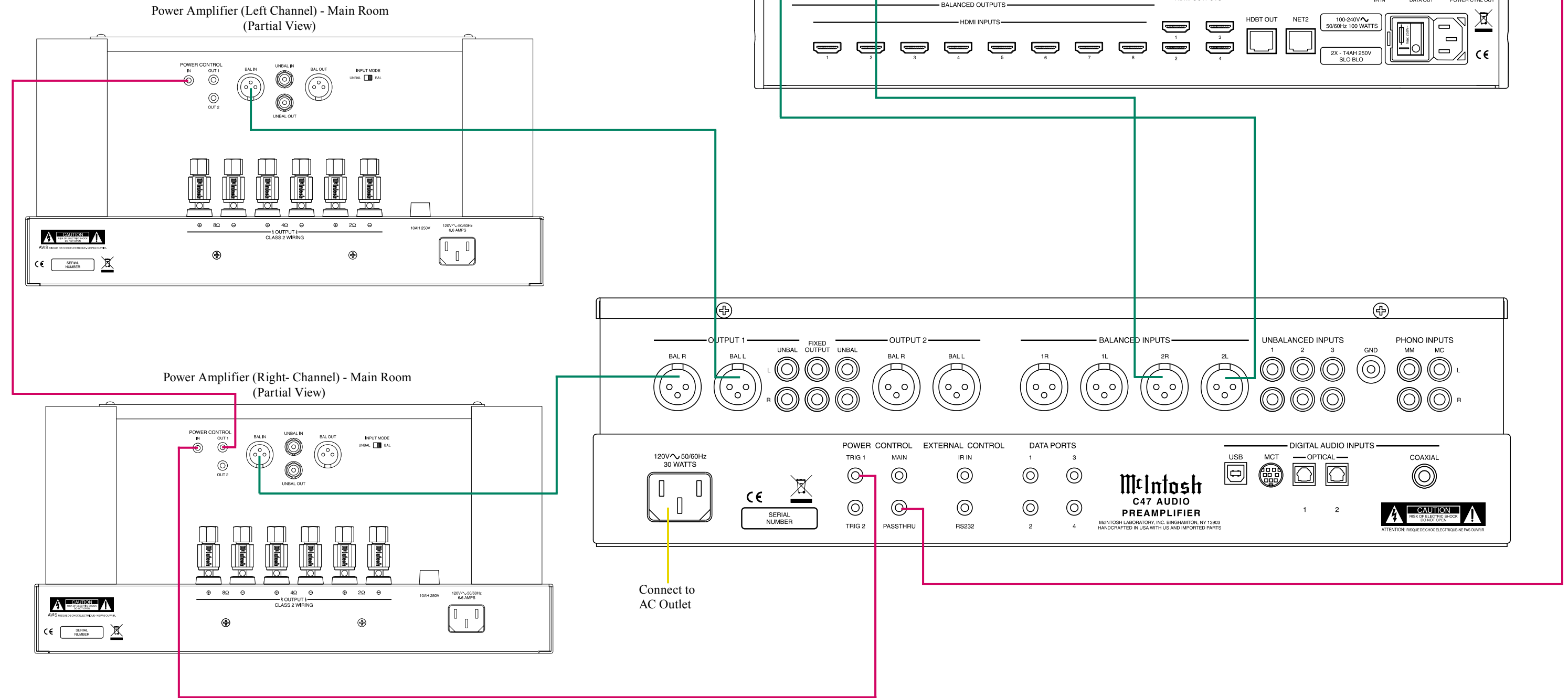


Note: Refer to the C47 Owner's Manual page 9 for additional connection information.

Connection Legend:

- Data Cable* - — Digital Signal Cable - —
 - Sensor/Keypad Cable - — RS232 Cable - —
 - Power Control Cable* - — Ground Wire - —
 - Audio Signal Cable - — AC Power Cords - —
 - Video Signal Cable - — Loudspeaker Cable - —
 - RF Signal Cable - —
- * 2 conductor shielded with 1/8 inch stereo mini phone plug on each end.



C47 Rear Panel Connections

OUTPUT 1 BALanced send signals to Power Amplifier(s) and is switched On/Off with the Front Panel Output 1 Push-Button or Remote Control Push-Button

FIXED OUTPUT (Record Out) sends signals to the input of a recording device

OUTPUT 2 BALanced send signals to Power Amplifier(s) and is switched On/Off with the Front Panel Output 2 Push-Button or Remote Control Push-Button

UNBALANCED INPUTS 1 thru 3 accept high level program source signals

GND terminals accept a ground wire from a turntable

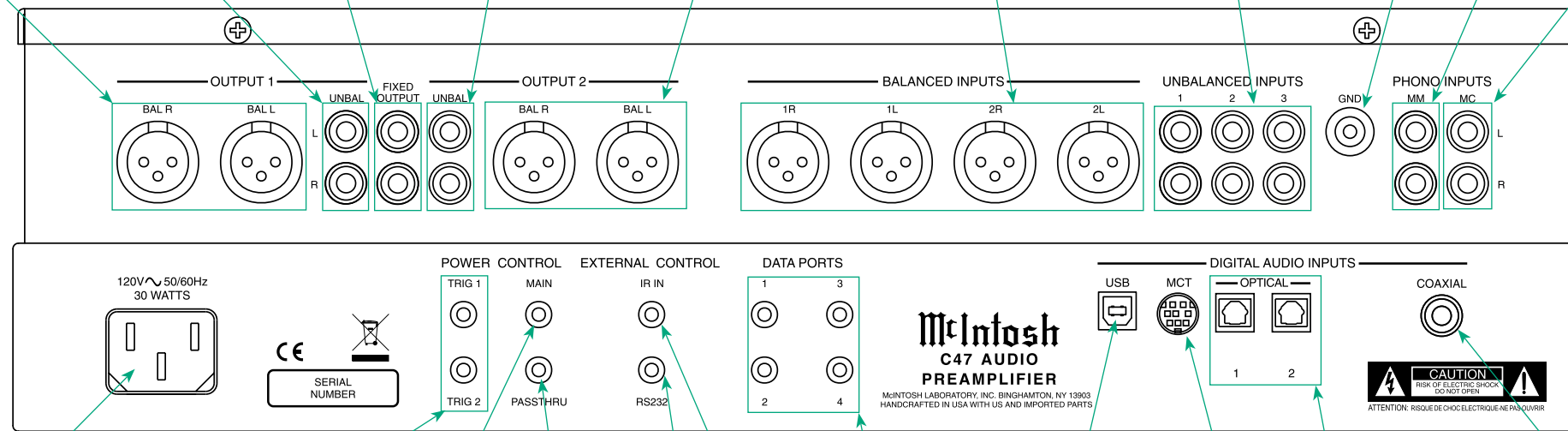
PHONO MC accepts the low level signals from a Moving Coil Phono Cartridge

OUTPUT 1 UNBALanced send signals to Power Amplifier(s) and is switched On/Off with the Front Panel Output 1 Push-Button or Remote Control Push-Button

OUTPUT 2 UNBALanced send signals to Power Amplifier(s) and is switched On/Off with the Front Panel Output 2 Push-Button or Remote Control Push-Button

BALANCED INPUTS 1 and 2 accept high level program source signals

PHONO MM accepts signals from a Moving Magnet Phono Cartridge



Connect the C47 power cord to a live AC outlet. Refer to information on the back panel of your C47 to determine the correct voltage for your unit

POWER CONTROL TRIGger outputs 1 and 2 are assignable to send turn On/Off signals to components

POWER CONTROL MAIN Output sends turn On/Off signals to a McIntosh Component when the C47 is switched On/Off

PASSTHRU Power Control Input receives turn On/Off signals from an Audio/Video Control Center

RS232 connector for connection to a computer or other control device

IR Input for signals from a compatible IR Room Sensor

DATA PORTS are assignable to send signals to Source Components to allow control with the C47 Remote Control

USB DIGITAL AUDIO INPUT with control signal for connection to a computer

MCT DIGITAL AUDIO INPUT for streaming high bandwidth digital signals from SACD/CD Transport Components

OPTICAL DIGITAL AUDIO INPUTS for components with a Digital Optical Output sending a digital audio signal

COAXIAL DIGITAL AUDIO INPUT for components with a Digital Coaxial Output sending a digital audio signal